

CH125-40 Conical horn antenna evaluation kit
- Product Brief
November 2024

CH125-40 - Conical Horn Antenna Evaluation Kit

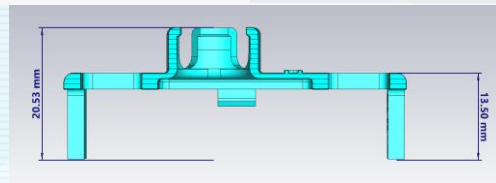
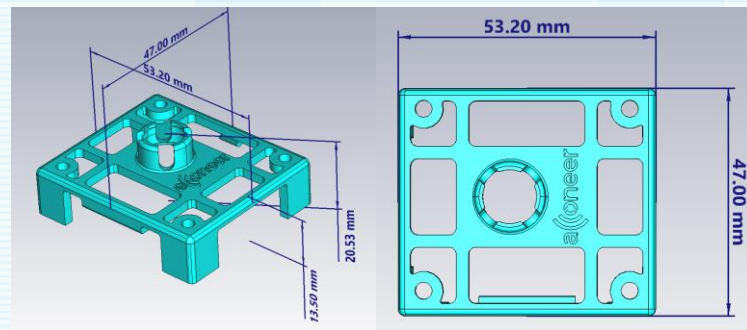
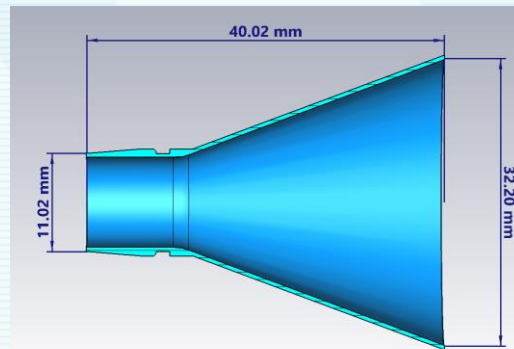
- The CH125-40 Conical horn antenna evaluation kit is optimized for applications where side lobe suppression is of importance to minimize static objects reflection close to or parallel to the sensor, in close range measurement.
- The CH125-40 Conical horn antenna evaluation kit is intended for evaluation with the XE125 EVK.
 - Includes conical horn antenna
 - Includes holder for XE125 EVK



CH125-40 - Mechanical Data

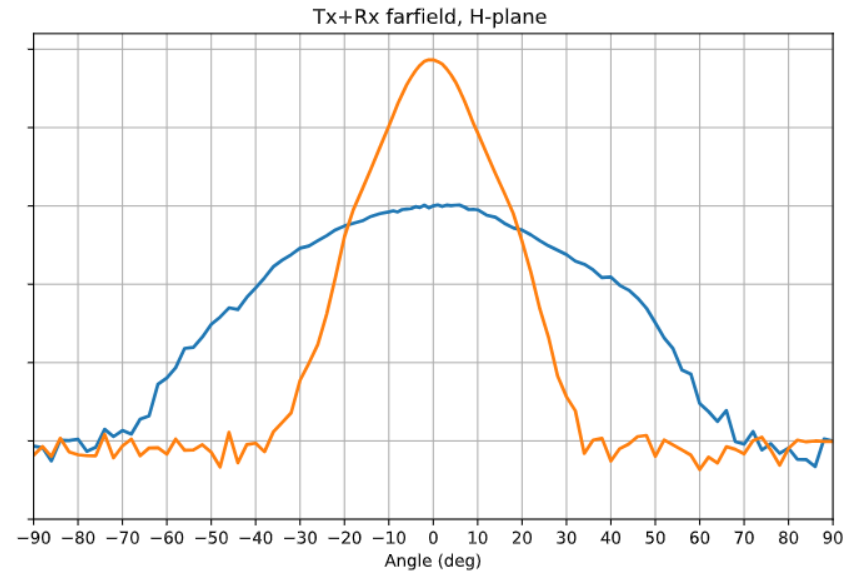
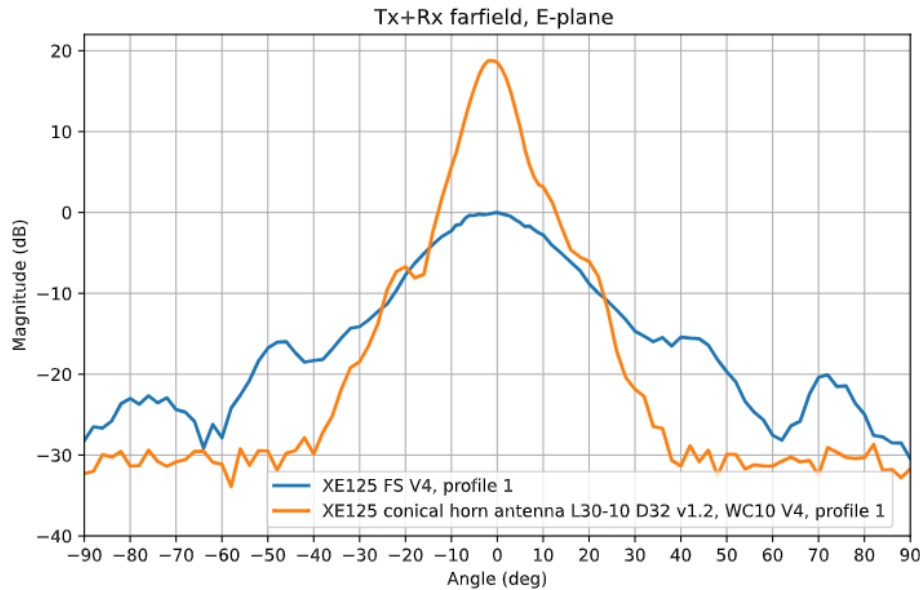
The CH125-40 evaluation kit consist of:

- Conical horn antenna
 - Length: 40.0mm
 - Top opening diameter: 32.2mm
 - Bottom opening diameter: 11.0mm
 - Thickness: 0.5mm
 - Material: Aluminium alloy AL6063-T5
 - Weight: 3g
- Plastic holder for XE125 EVK
 - High toughness resin - SLA 3D printed
 - Footprint: L: 53.2mm, W: 47.0mm, H: 20.5mm
 - H: 13.5mm excluding plastic snap attachment

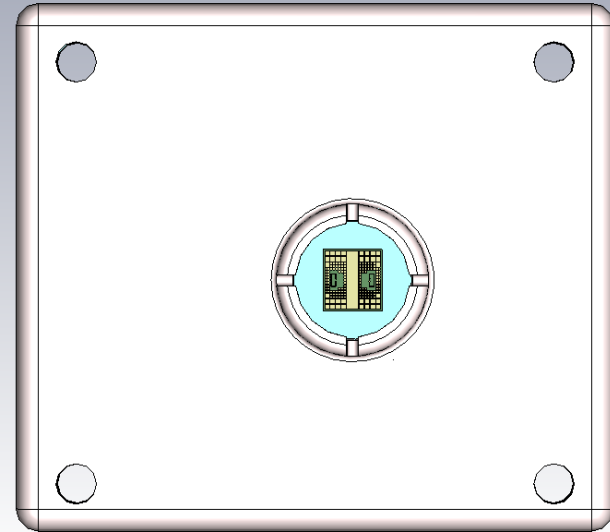
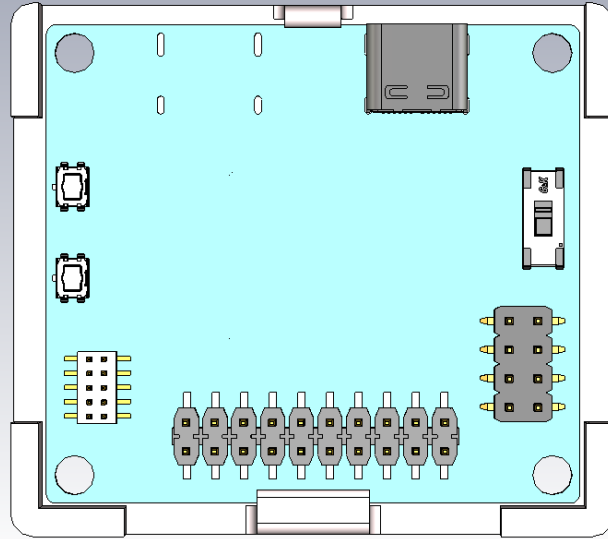
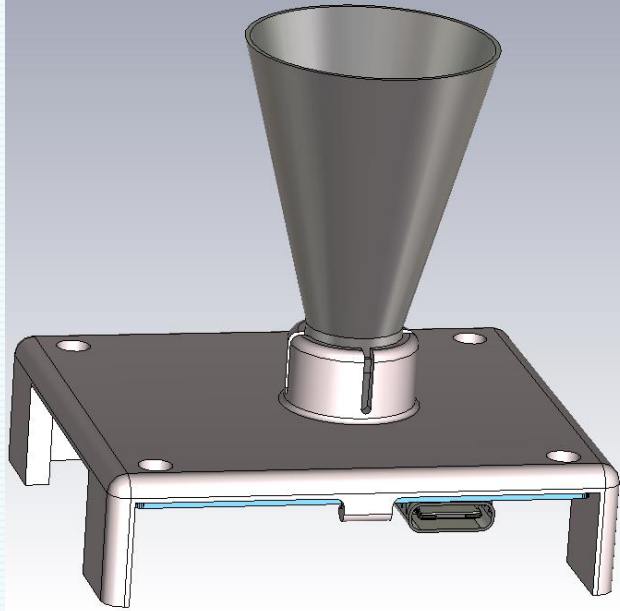


CH125-40 - Measurement Data

- Peak TX+RX gain: 18.6dBFS
- Side lobe level: < -30dB
- HPBW: 7.5° (E-plane), 11° (H-plane)



XE125 Evaluation Kit with CH125-40



a((oneer