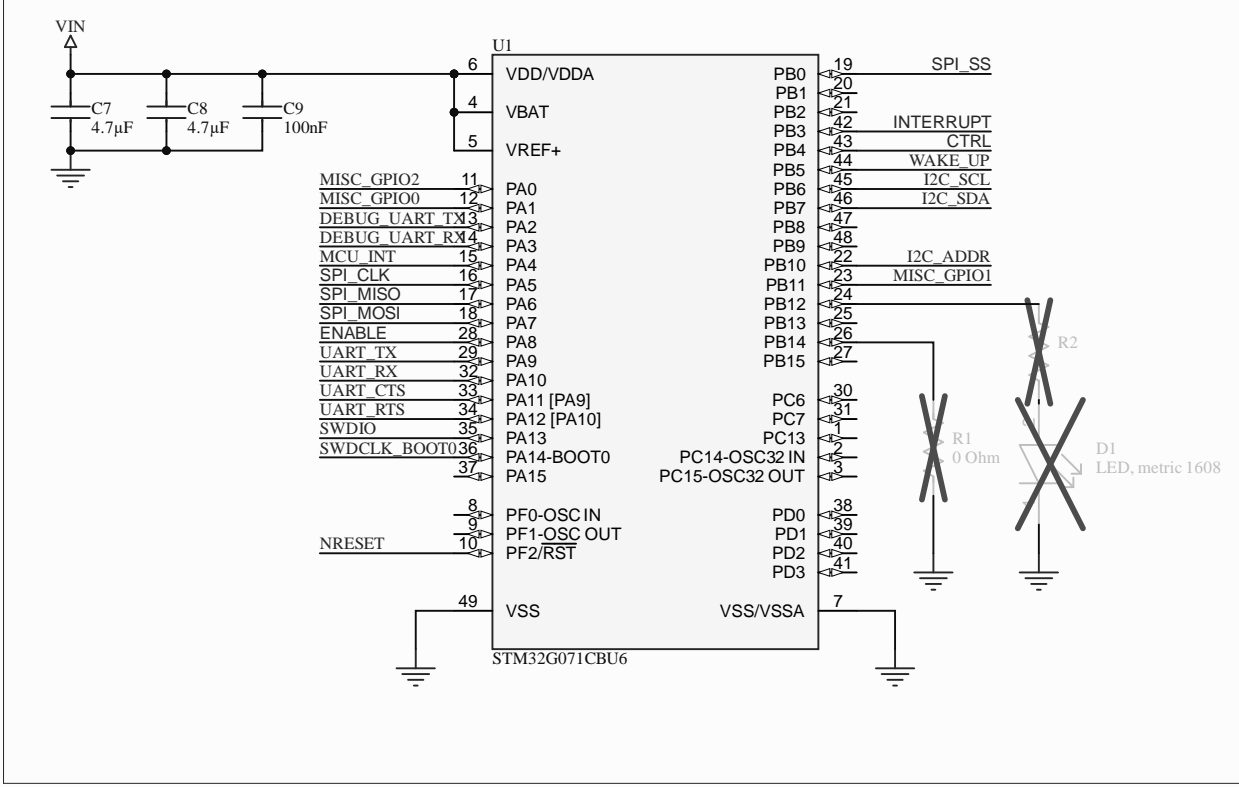
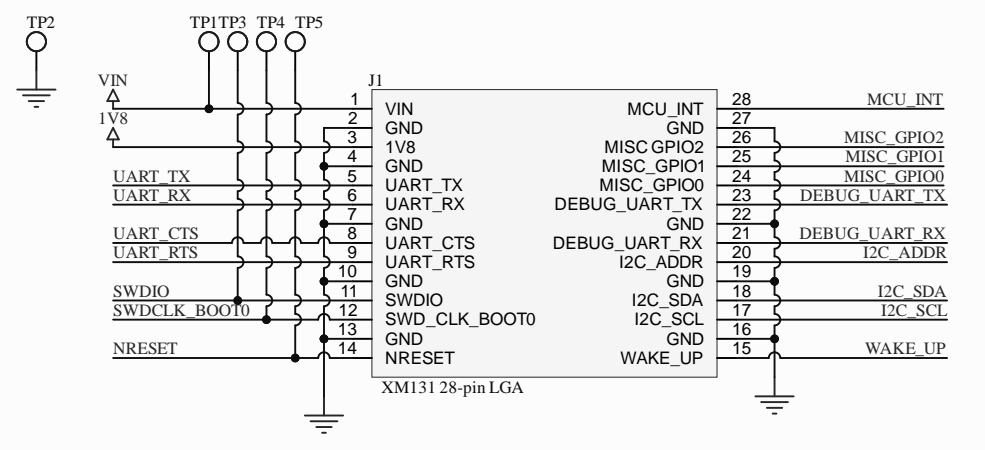
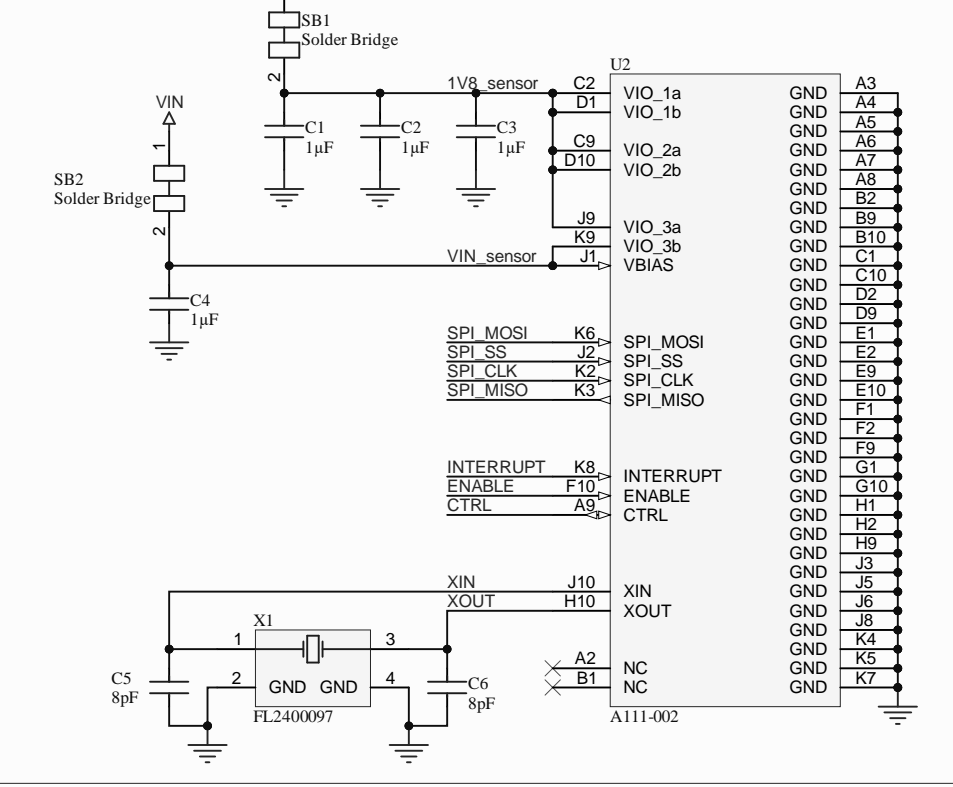


### MCU



### Radar sensor



		Acconeer AB Västra Varvsgatan 19 211 77 Malmö Sweden
Title: <b>XM131 radar module</b>		
Size: <b>A3</b>	Project variant: <b>Production</b>	PCBA revision: <b>R1B</b>
Date: 2021-12-17		Sheet 1 of 1
File: XM131_SchDoc		Drawn By: Jonas Långbacka